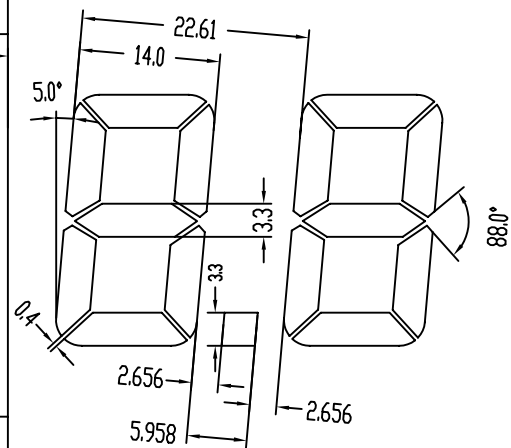
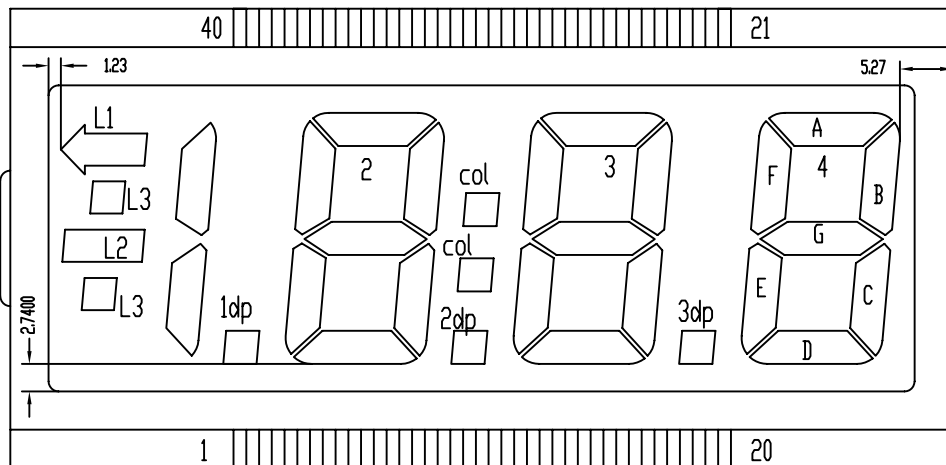


PIN	1	2	3	4	5	6	7	8	9	10	11	12	13	14	15	16	17	18	19	20
COM1	COM	L2	1BC					DP1	2E	2D	2C	DP2	3E	3D	3C	DP3	4E	4D	4C	4B
PIN	21	22	23	24	25	26	27	28	29	30	31	32	33	34	35	36	37	38	39	40
COM1	4A	4F	4G	3B	3A	3F	3G	COL	2B	2A	2F	2G						L1	L3	COM



NOTES:

- |  |                               |
|--|-------------------------------|
| 1. DISPLAY TYPE: TN                                  | 5. OPERATING VOLTAGE: 5.0 V   |
| 2. VIEWING DIRECTION: 6:00                           | 6. OPERATING TEMP: -30°C~80°C |
| 3. POLARIZER MODE: POSITIVE/REFLECTIVE&TRANSFLECTIVE | 7. STORAGE TEMP: -35°C~85°C   |
| 4. DRIVER METHOD: 1/4 DUTY 1/3 BAIS                  | 8. CONNECTOR: PIN             |