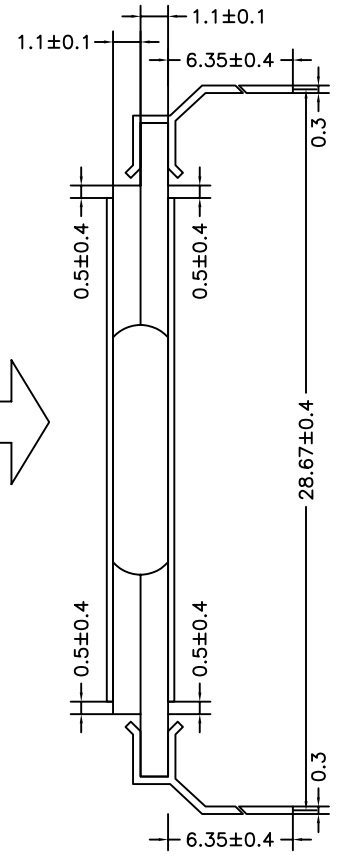


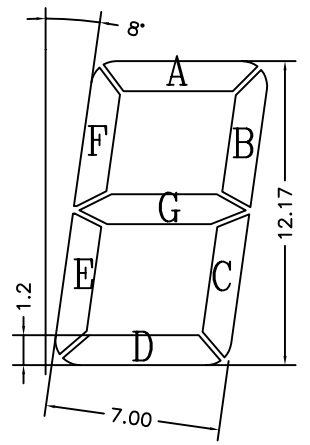
VIEWING FACE



PIN NO.	1	2	3	4	5	6	7	8
SEGMENT	1BC	3F	3G	3E	3D	3C	3B	3A
PIN NO.	9	10	11	12	13	14	15	16
SEGMENT	2C	2B	2A	2F	2G	2E	2D	COM

NOTES:

- | | | | |
|-----------------------|---------------------|-----------------------|------------|
| 1. DISPLAY TYPE: | TN | 5. OPERATING VOLTAGE: | 5.0 V |
| 2. VIEWING DIRECTION: | 6:00 | 6. OPERATING TEMP: | 0°C~50°C |
| 3. POLARIZER MODE: | POSITIVE/REFLECTIVE | 7. STORAGE TEMP: | -20°C~70°C |
| 4. DRIVER METHOD: | STATIC | 8. CONNECTOR: | PIN |



DRAWN:
Wang

CHECKED:

APP:

LCD NO.:
DWG NO.: OD-251

DATE: 10/31/04

UNITS: MM
SHEET 1 OF 1