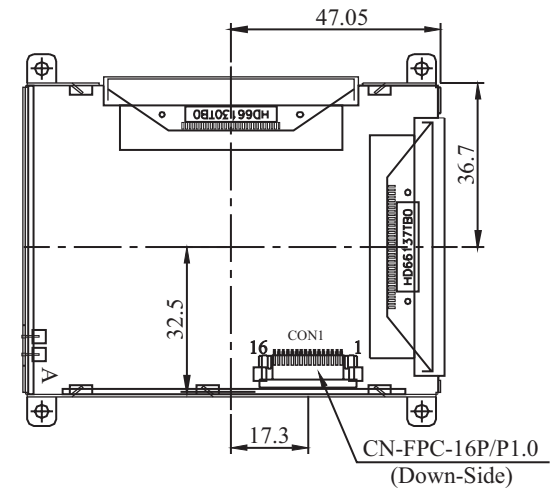
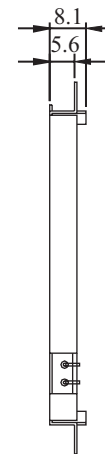
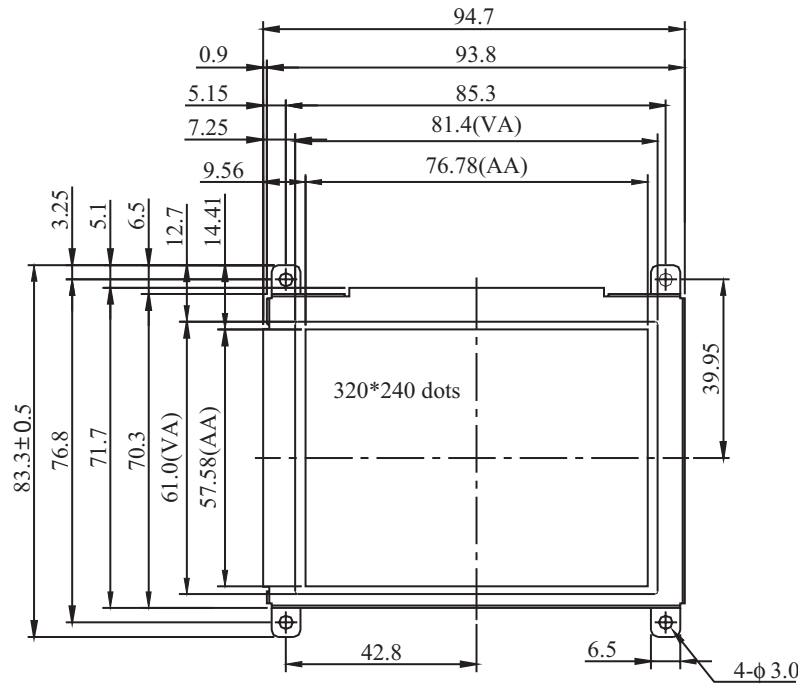


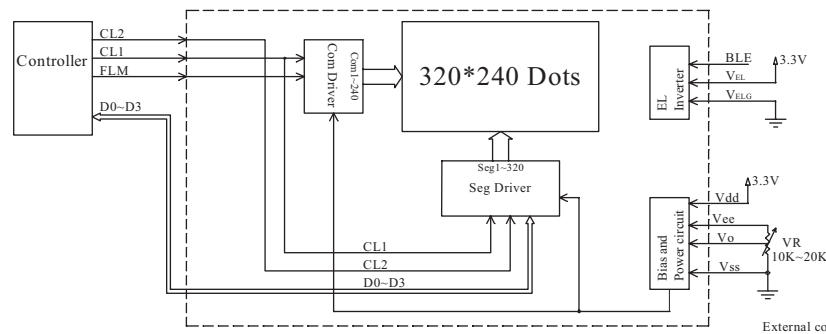


AMG320240P-T

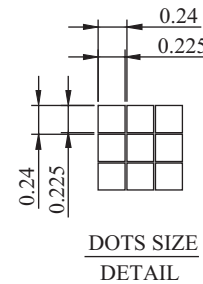
Unmarked tolerance ±0.3



The non-specified tolerance of dimension is ± 0.2mm .



External contrast adjustment.



Pin No	Symbol	Pin No	Symbol
1	CP	9	VLCD
2	LP	10	VCC
3	FLM	11	VSS
4	M	12	BLE
5	DB0	13	K
6	DB1	14	A
7	DB2	15	DISP
8	DB3	16	VEE