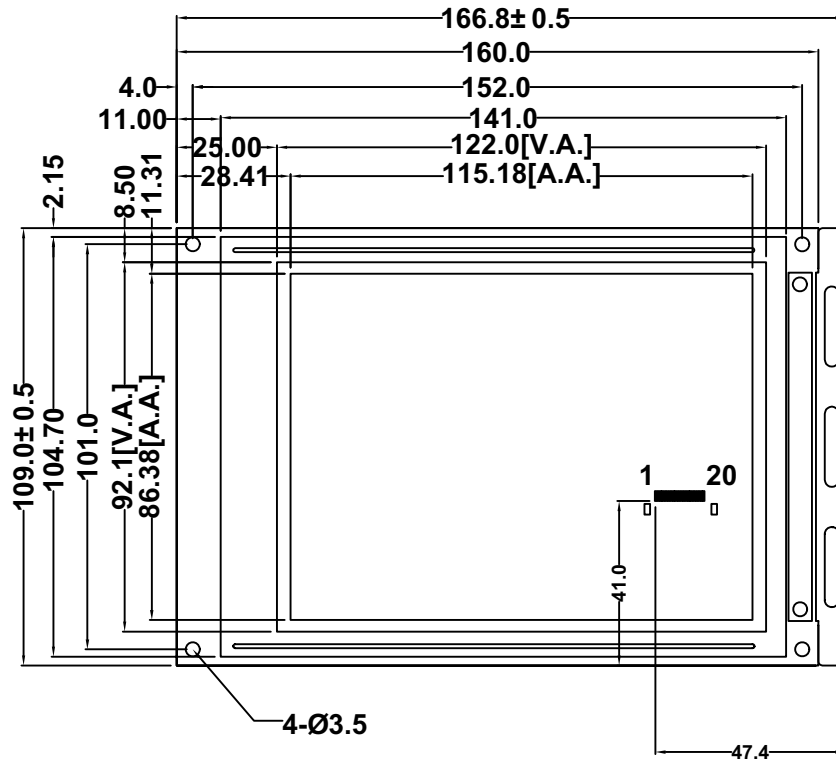


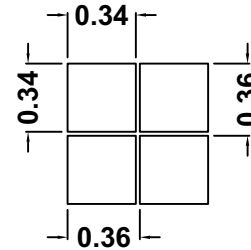
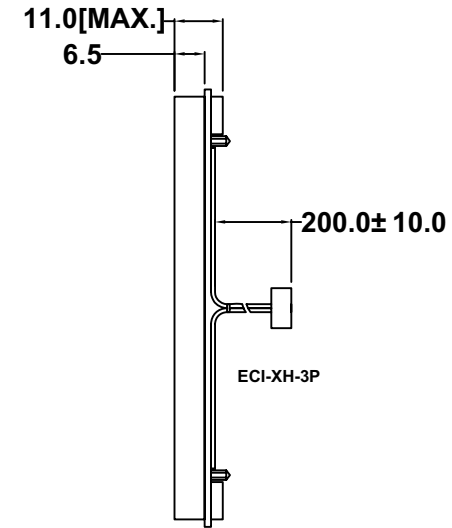


AMG320240B

Unmarked tolerance ± 0.3



CCFL B/L or LED B/L



Pin No	Symbol	Pin No	Symbol
1	VSS	11	DB4
2	VDD	12	DB5
3	V0	13	DB6
4	A0	14	DB7
5	/WR	15	/CS
6	/RD	16	/RES
7	DB0	17	VEE
8	DB1	18	SEL1
9	DB2	19	FGND
10	DB3	20	NC