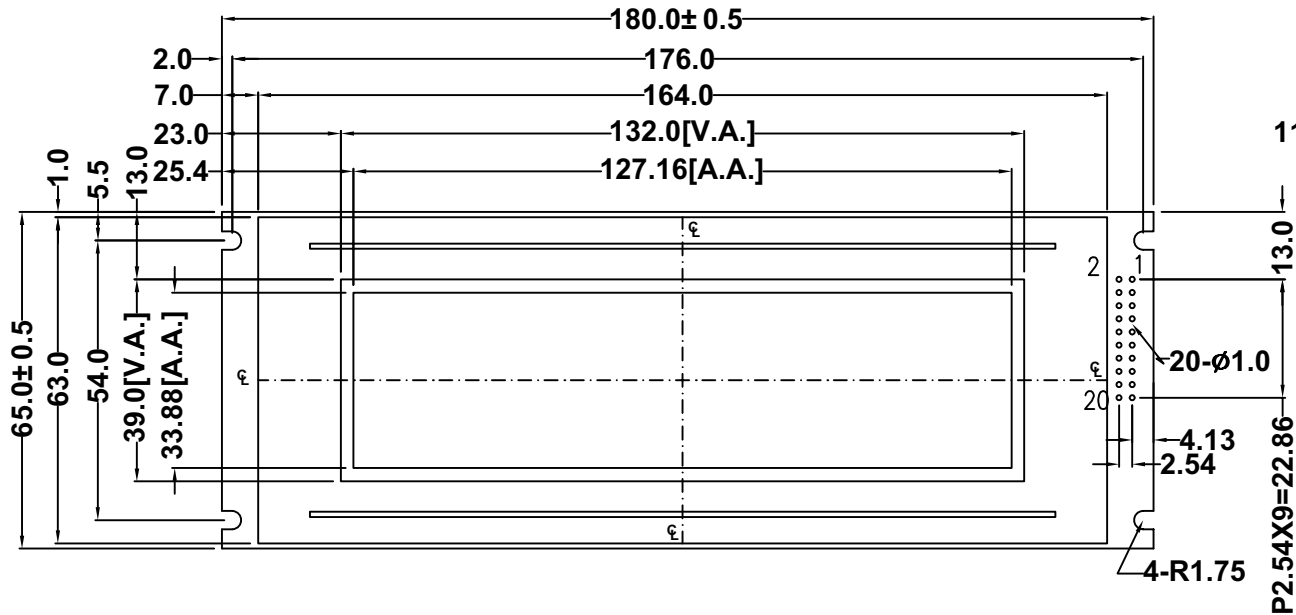




AMG24064B

Unmarked tolerance ±0.3



NO B/L

LED B/L

11.0[**MAX.**]

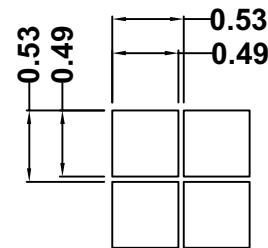
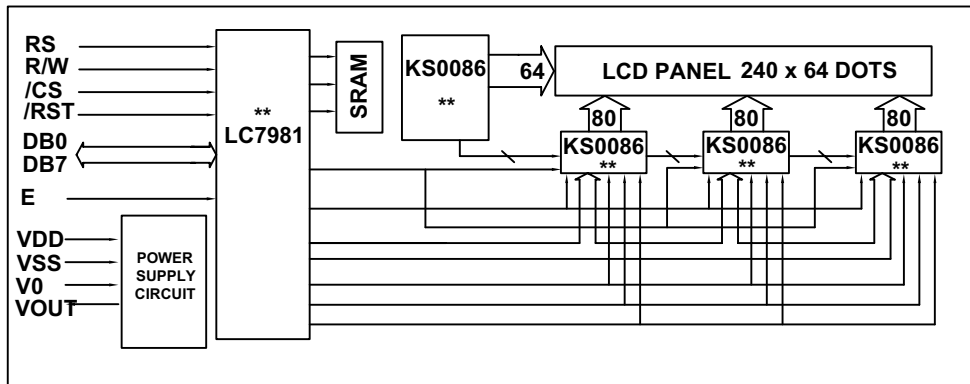
16.0[**MAX.**]

6.0±0.5

9.0±0.5

1.6±0.1

1.6±0.1



Pin No	Symbol	Pin No	Symbol
1	VSS	11	DB4
2	VDD	12	DB5
3	V0	13	DB6
4	RS	14	DB7
5	RW	15	/CS
6	E	16	/RST
7	DB0	17	VOUT
8	DB1	18	NC
9	DB2	19	A
10	DB3	20	K

\* OR EQUIVALENT