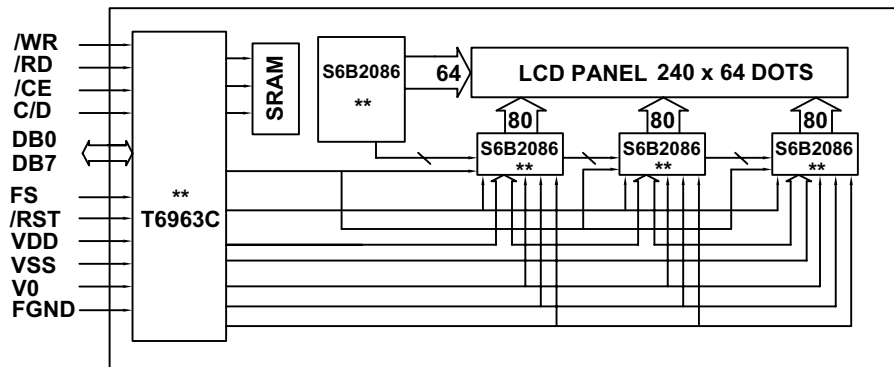
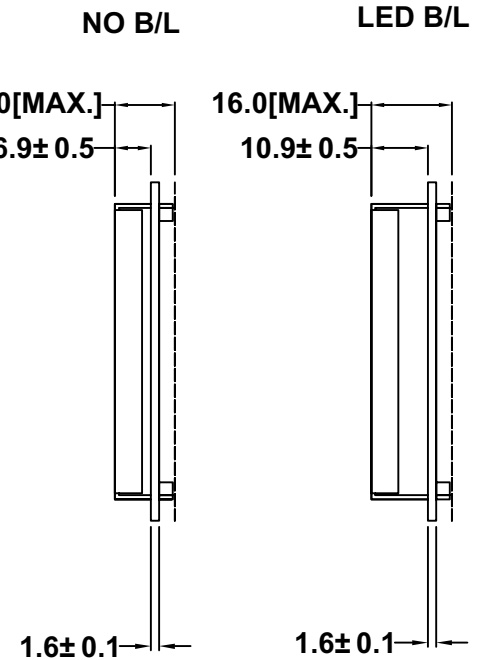
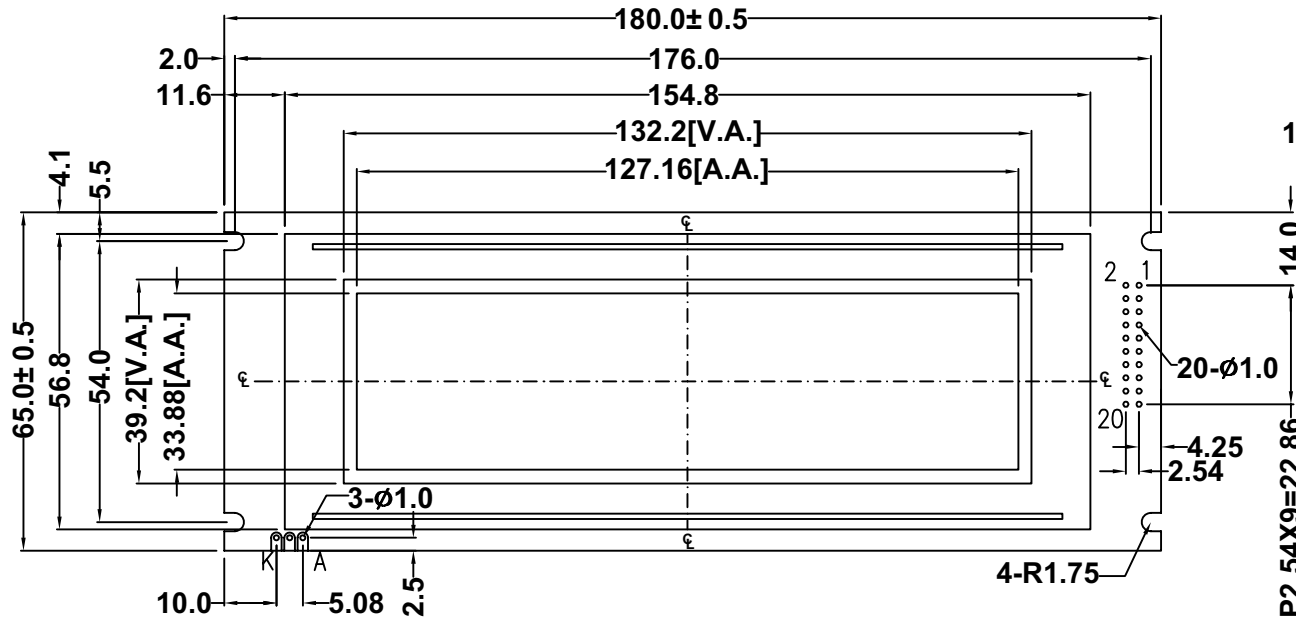


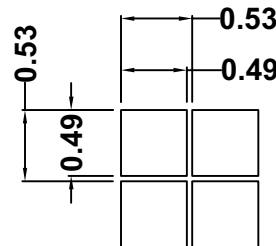


AMG24064A

Unmarked tolerance ±0.3



* OR EQUIVALENT



Pin No	Symbol	Pin No	Symbol
1	FGND	11	DB0
2	VSS	12	DB1
3	VDD	13	DB2
4	V0	14	DB3
5	/WR	15	DB4
6	/RD	16	DB5
7	/CS	17	DB6
8	C/D	18	DB7
9	NC	19	FS
10	/RST	20	NC

