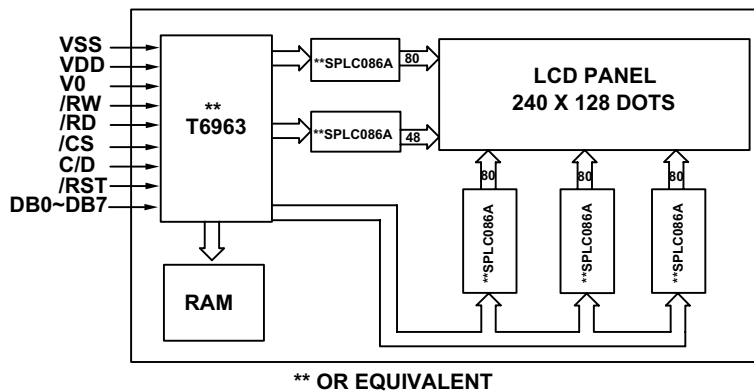
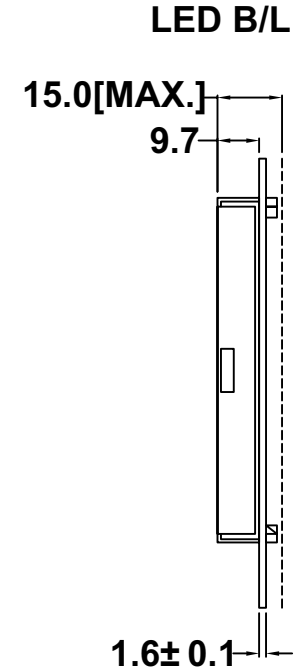
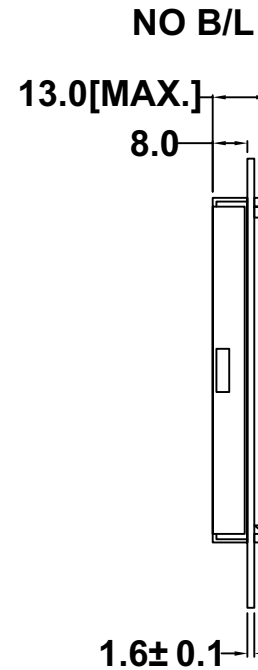
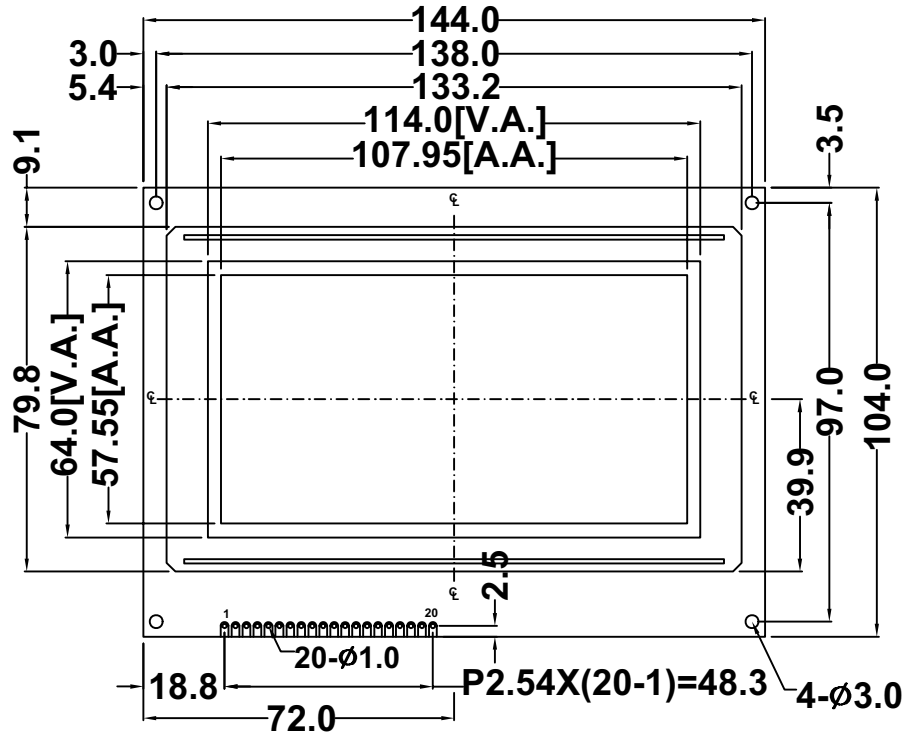


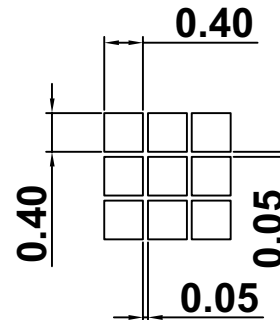


AMG240128A

Unmarked tolerance ±0.3



\*\* OR EQUIVALENT



| Pin No | Symbol | Pin No | Symbol |
|--------|--------|--------|--------|
| 1      | FGND   | 11     | DB1    |
| 2      | VSS    | 12     | DB2    |
| 3      | VDD    | 13     | DB3    |
| 4      | V0     | 14     | DB4    |
| 5      | /WR    | 15     | DB5    |
| 6      | /RD    | 16     | DB6    |
| 7      | /CS    | 17     | DB7    |
| 8      | C/D    | 18     | FS     |
| 9      | /RST   | 19     | A      |
| 10     | DB0    | 20     | K      |