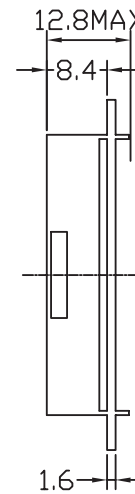
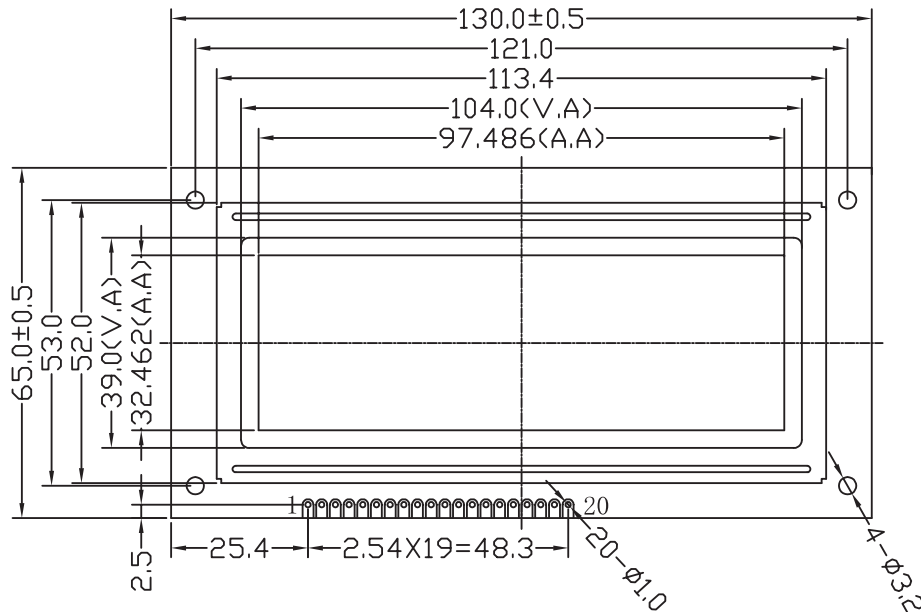


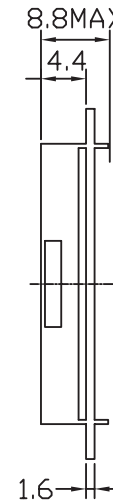


AMG19264B

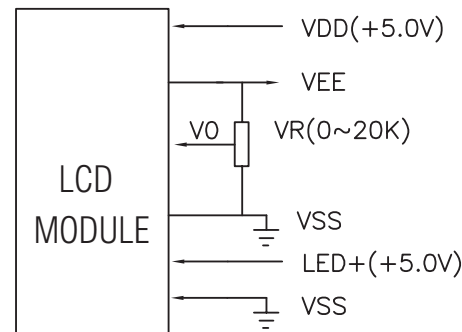
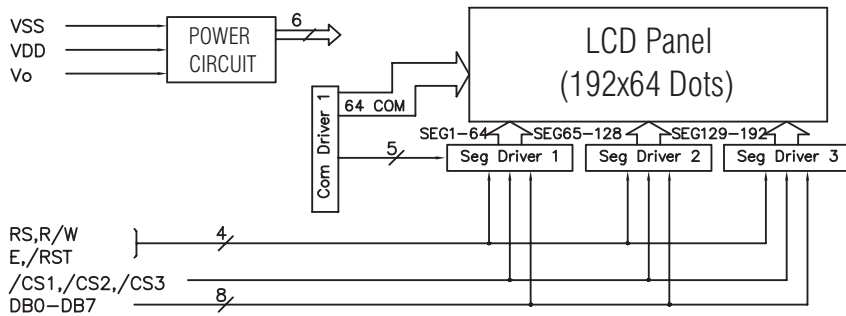
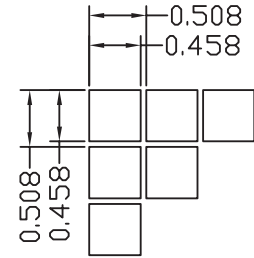
Unmarked tolerance ±0.3



WITH LED B/L



WITH EL B/L
OR WITHOUT B/L



Pin No	Symbol	Pin No	Symbol
1	LED+	11	DB3
2	VEE	12	DB2
3	/CS3	13	DB1
4	/CS2	14	DB0
5	/RST	15	E
6	/CS1	16	R/W
7	DB7	17	RS
8	DB6	18	V0
9	DB5	19	VDD
10	DB4	20	VSS