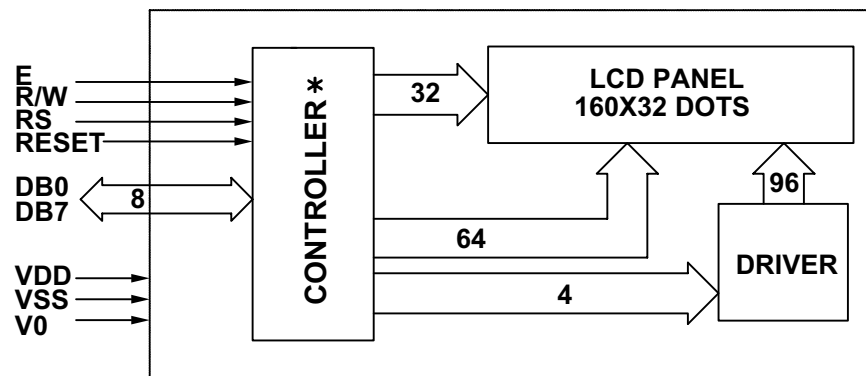
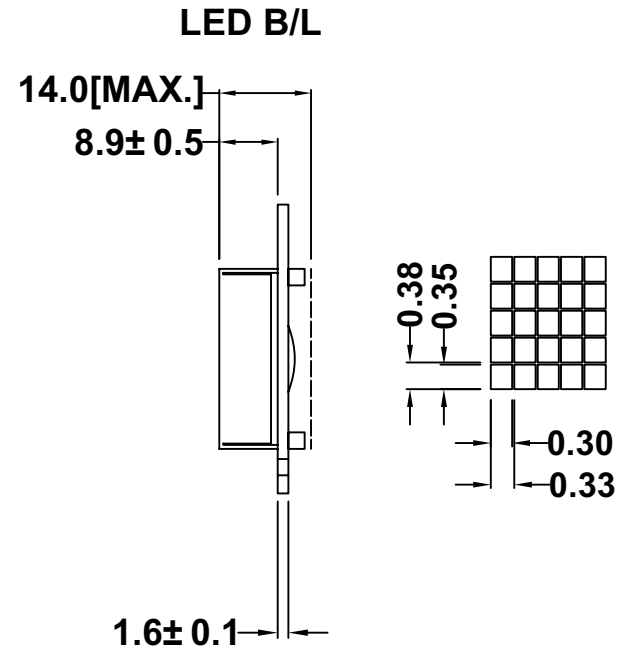
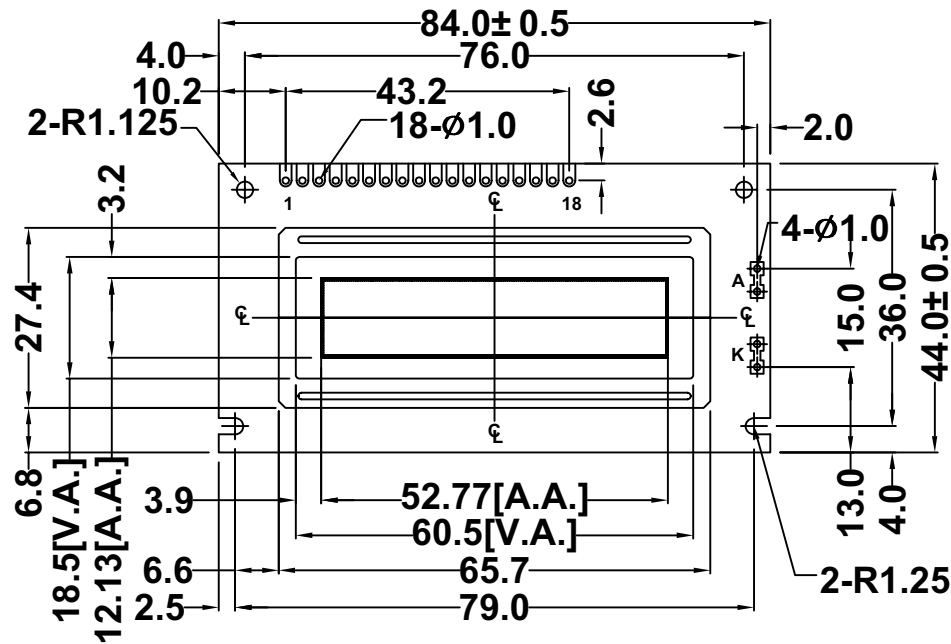




AMG16032A

Unmarked tolerance ±0.3



*ST7920 OR EQUIVALENT

Pin No	Symbol	Pin No	Symbol
1	VSS	10	DB3
2	VDD	11	DB4
3	V0	12	DB5
4	RS	13	DB6
5	RW	14	DB7
6	E	15	NC
7	DB0	16	RST
8	DB1	17	A
9	DB2	18	K