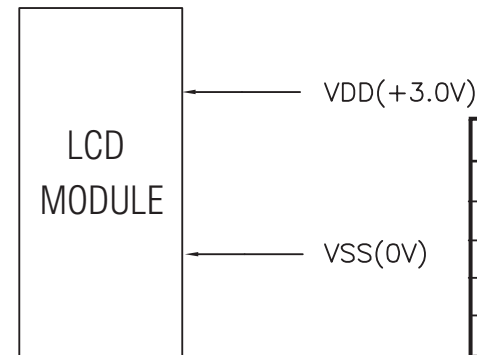
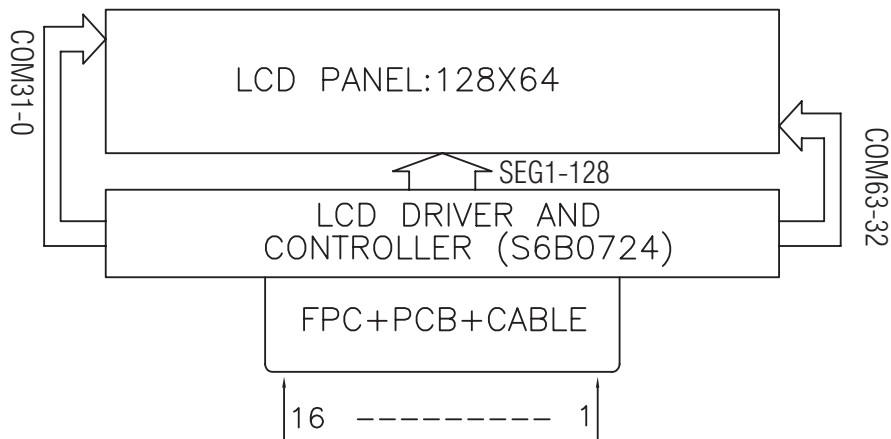
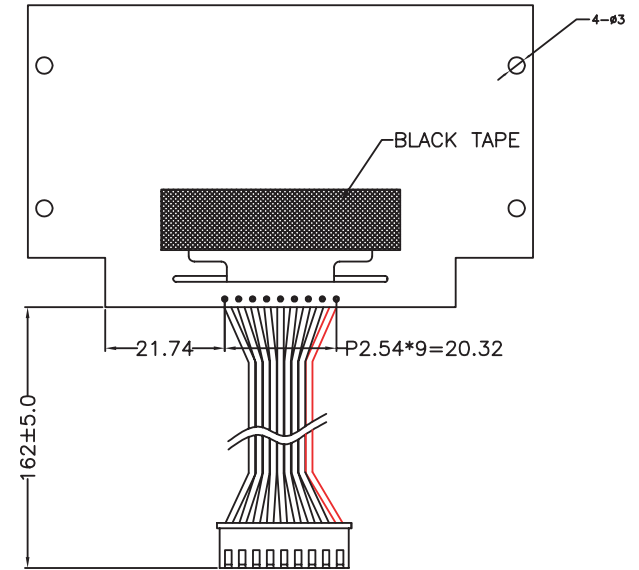
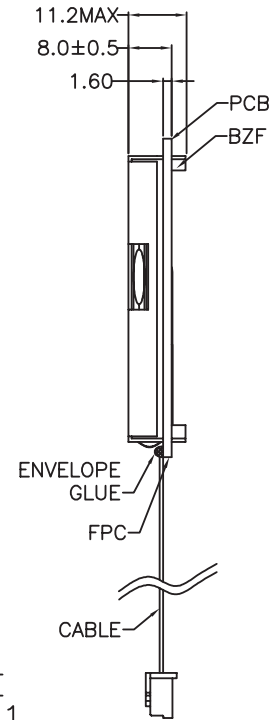
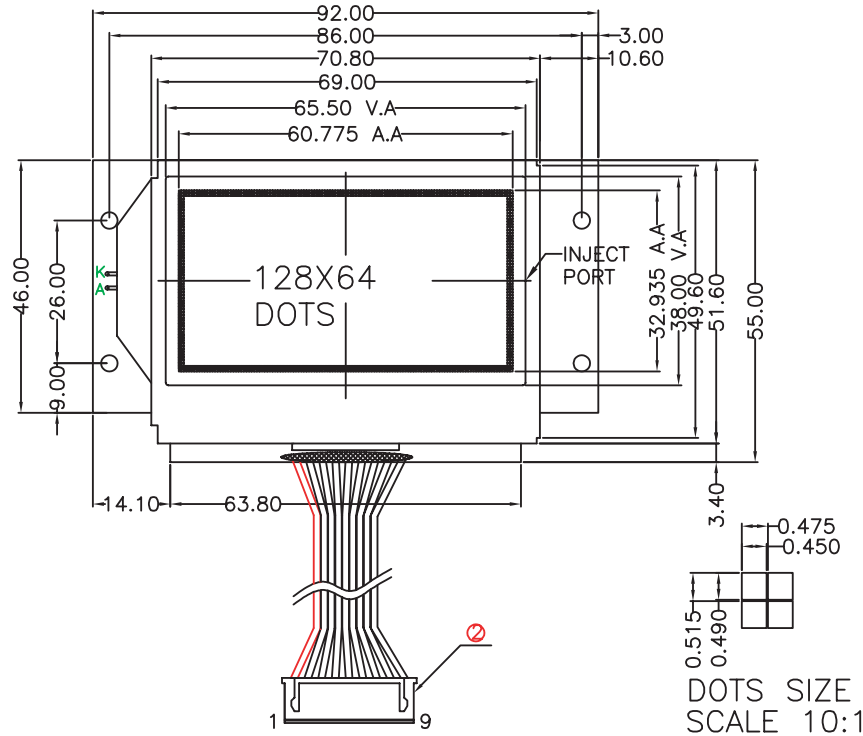




AMG12864S-G

Unmarked tolerance ± 0.3



Pin No	Symbol	Pin No	Symbol
1	LEDA	6	SCLK
2	LEDK	7	A0
3	VSS	8	RES
4	VDD	9	/CS
5	SID		