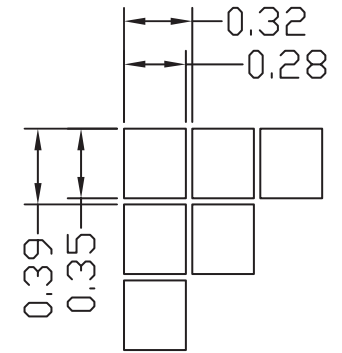
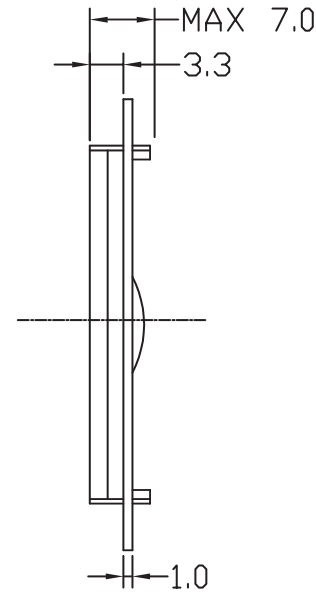
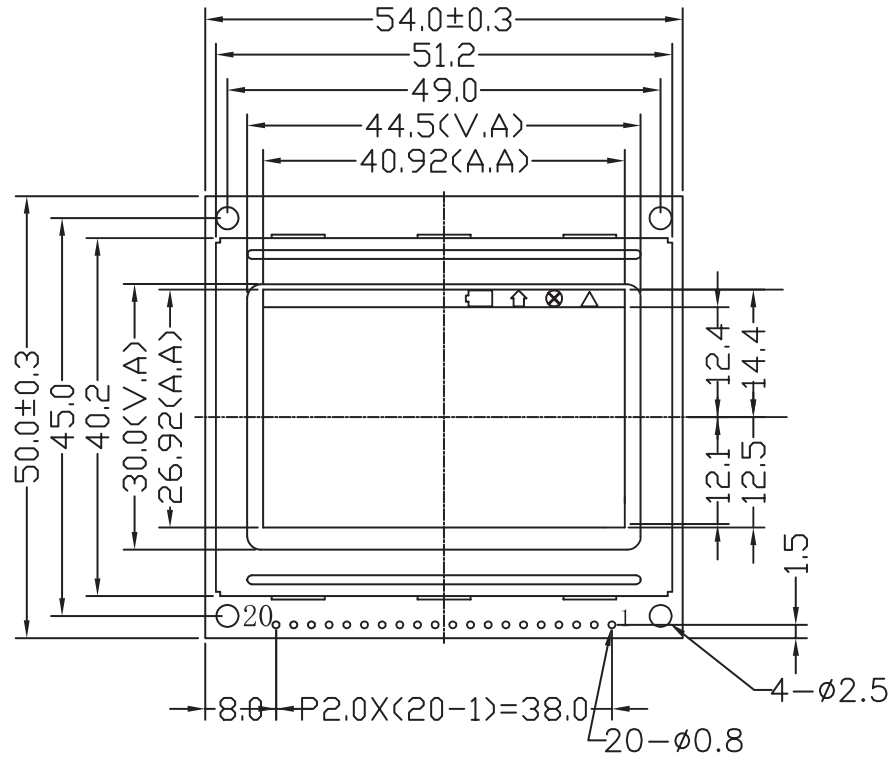


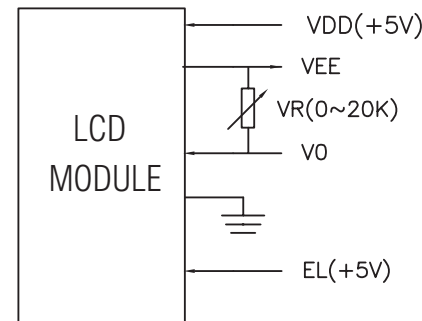
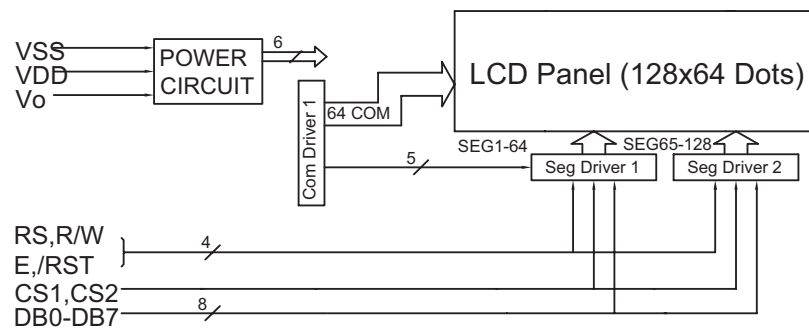


AMG12864D

Unmarked tolerance ± 0.3



WITH EL B/L
OR WITHOUT B/L



Pin No	Symbol	Pin No	Symbol
1	VSS	11	DB4
2	VDD	12	DB5
3	Vo	13	DB6
4	RS	14	DB7
5	R/W	15	/CS1
6	E	16	/CS2
7	DB0	17	/RST
8	DB1	18	VEE
9	DB2	19	EL
10	DB3	20	NC