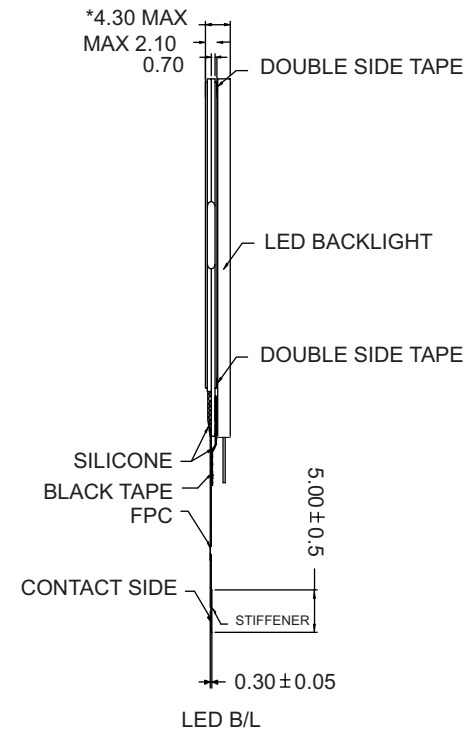
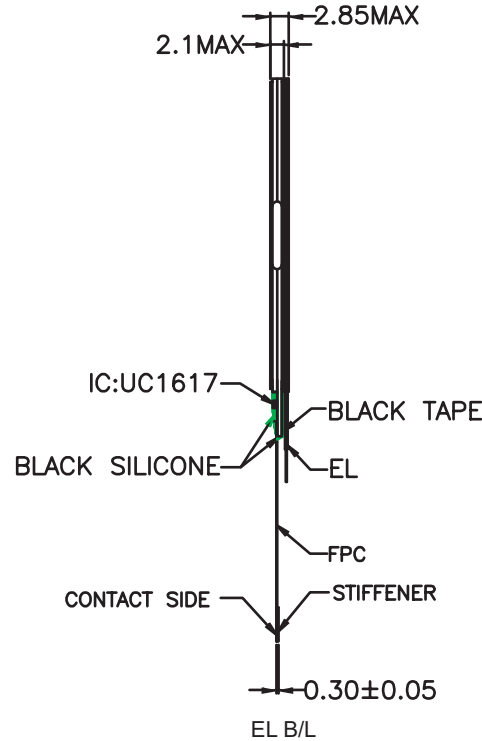
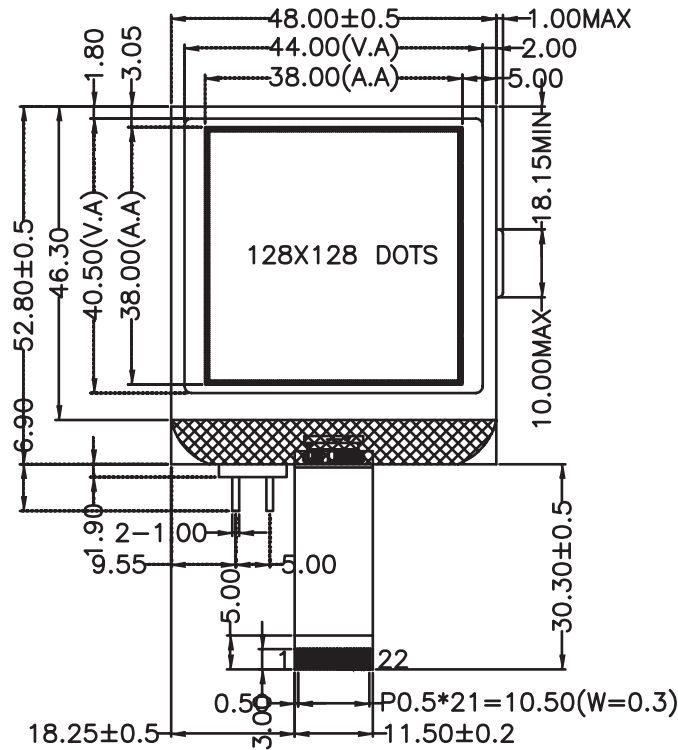


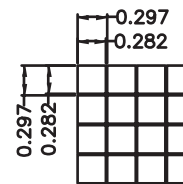
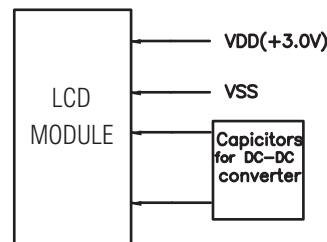
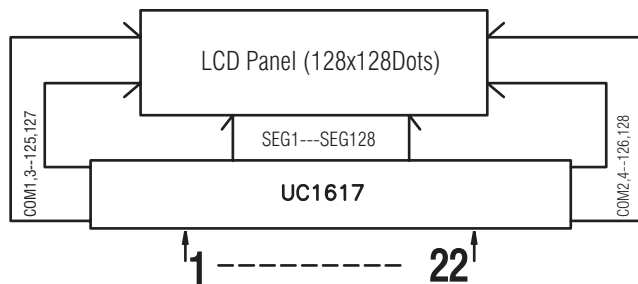


AMG128128P-G

Unmarked tolerance ± 0.3



↑
VIEWING DIRECTION



Pin No	Symbol	Pin No	Symbol
1	VLCD	12	CD
2	VB0+	13	CS0
3	VB1+	14	RESET
4	PS1	15	D7
5	PS0	16	D6
6	VB1-	17	D5
7	VB0-	18	D4
8	VDD	19	D3
9	VSS	20	D2
10	WR1	LEDA	D1
11	WR0	LEDK	D0