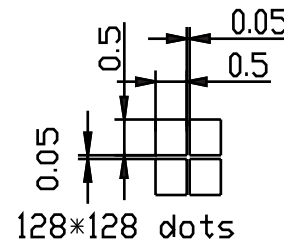
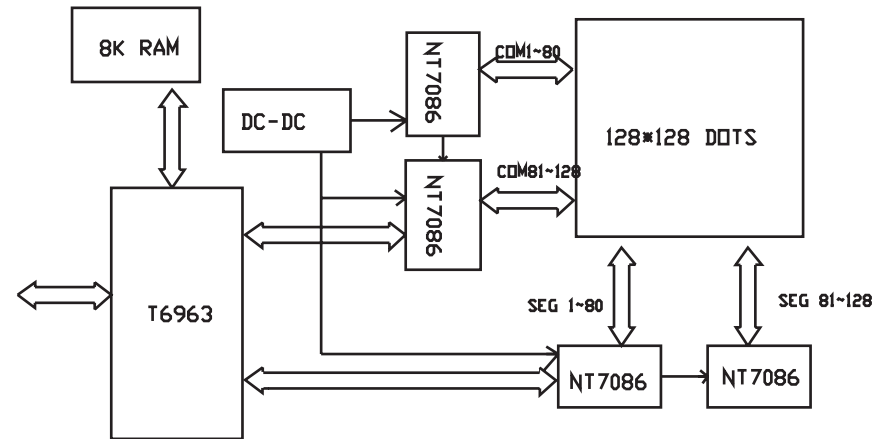
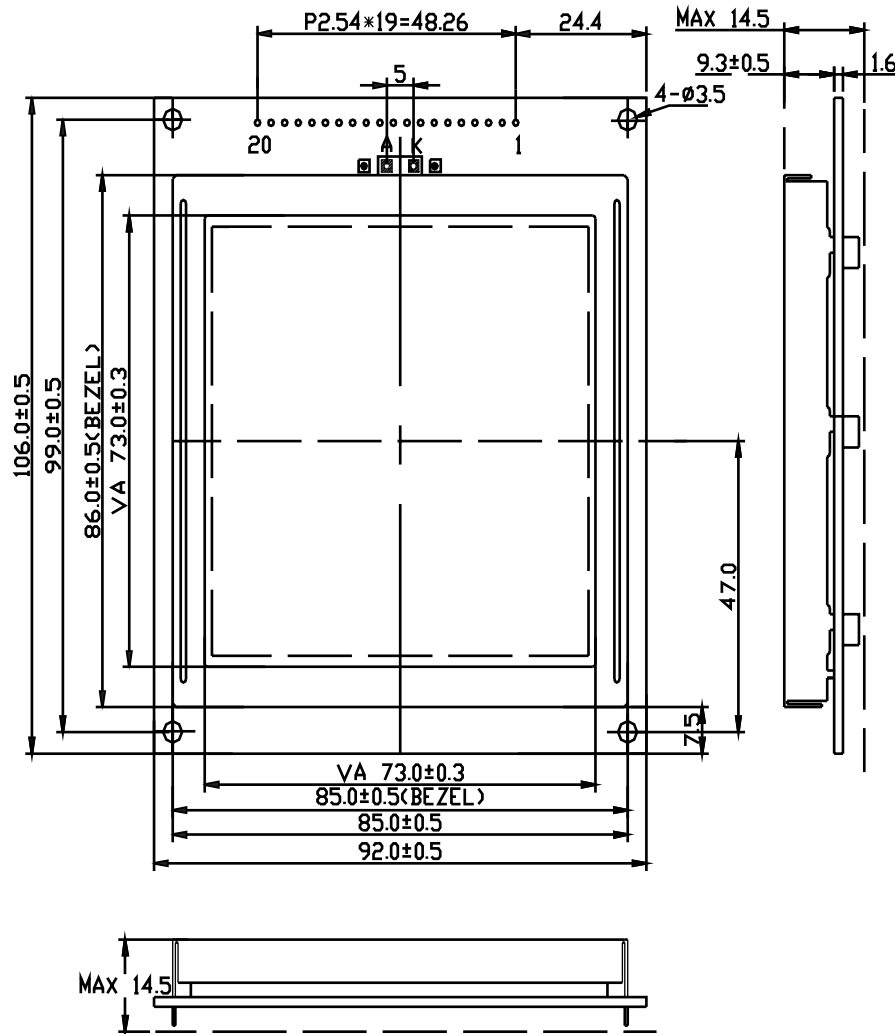




# AMG128128A

Unmarked tolerance ± 0.3



Pin No	Symbol	Pin No	Symbol
1	FGND	11	DB1
2	GND	12	DB2
3	VDD	13	DB3
4	V0	14	DB4
5	WR	15	DB5
6	RD	16	DB6
7	CE	17	DB7
8	C/D	18	FS
9	RST	19	VEE
10	DB0	20	HALT