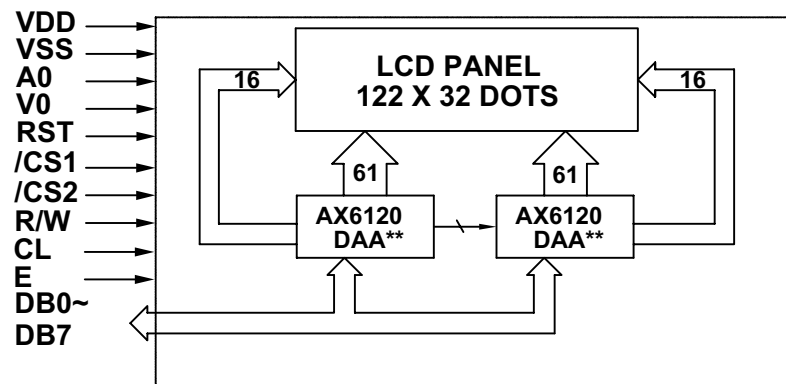
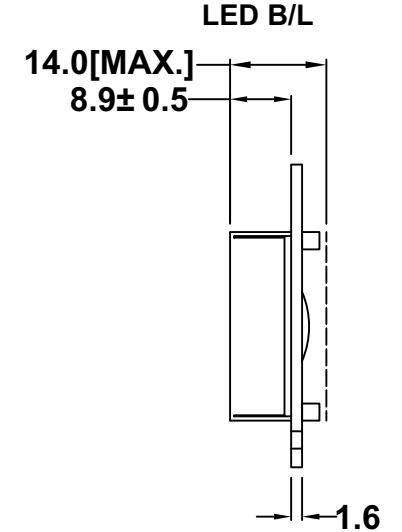
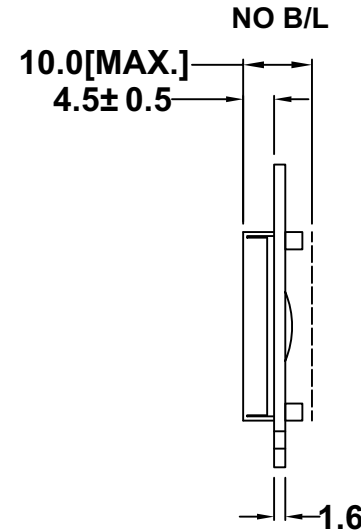
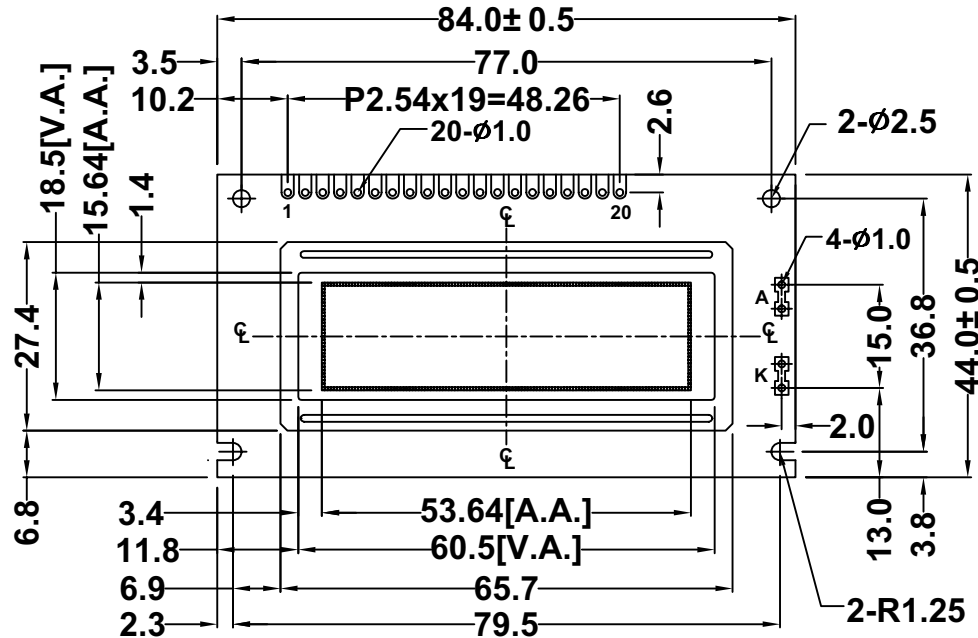


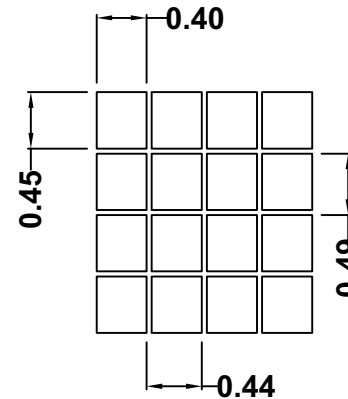


AMG12232E

Unmarked tolerance ±0.3



** OR EQUIVALENT



Pin No	Symbol	Pin No	Symbol
1	VSS	11	DB1
2	VDD	12	DB2
3	V0	13	DB3
4	A0	14	DB4
5	/CS1	15	DB5
6	/CS2	16	DB6
7	CL	17	DB7
8	E	18	RST
9	R/W	19	A
10	DB0	20	K