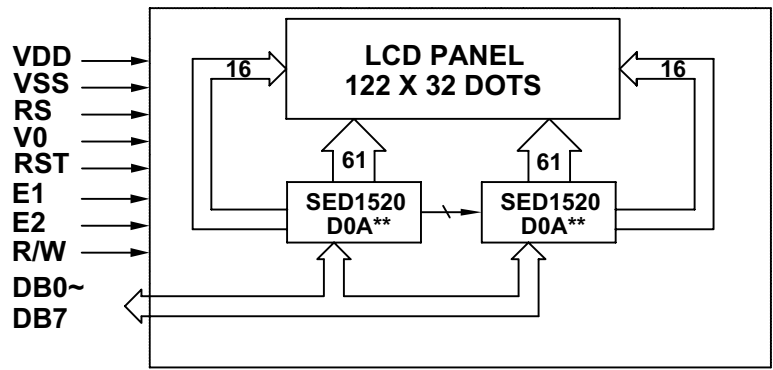
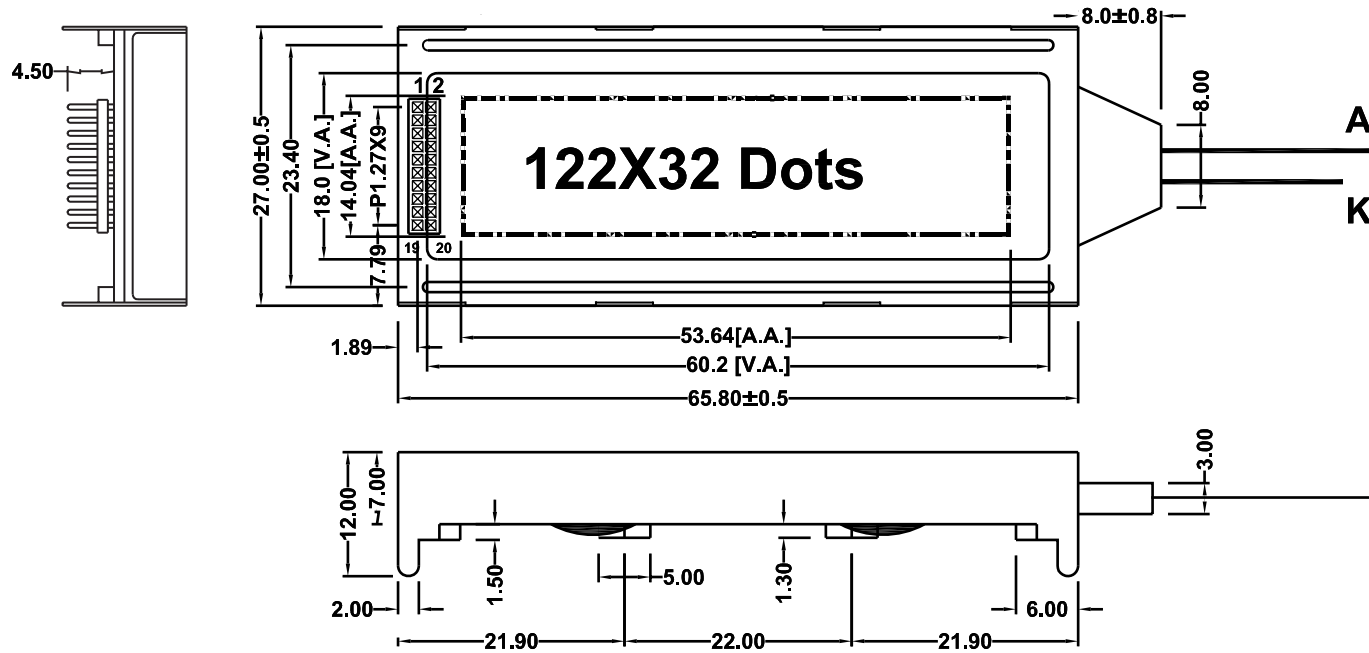




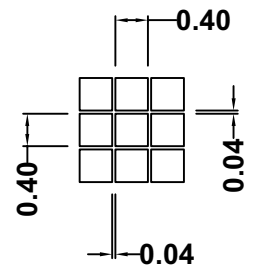
AMG12232D

Unmarked tolerance ± 0.3

LED B/L



**** OR EQUIVALENT**



Pin No	Symbol	Pin No	Symbol
1	RS	11	DB3
2	E2	12	DB4
3	E1	13	DB5
4	NC	14	DB6
5	NC	15	DB7
6	R/W	16	VDD
7	VSS	17	RST
8	DB0	18	V0
9	DB1	19	NC
10	DB2	20	NC