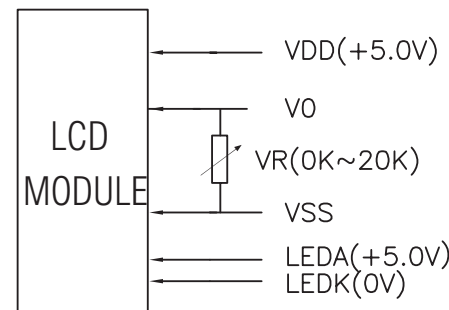
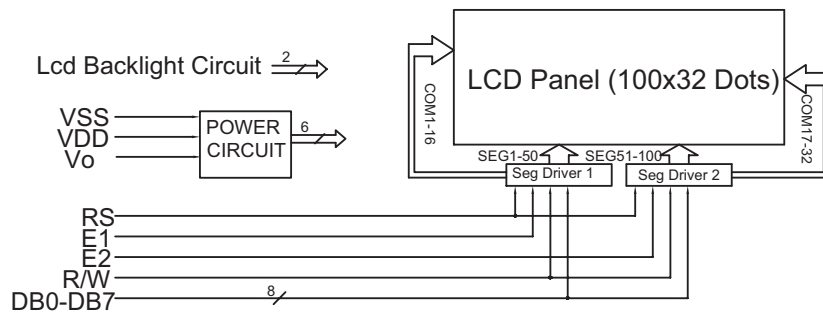
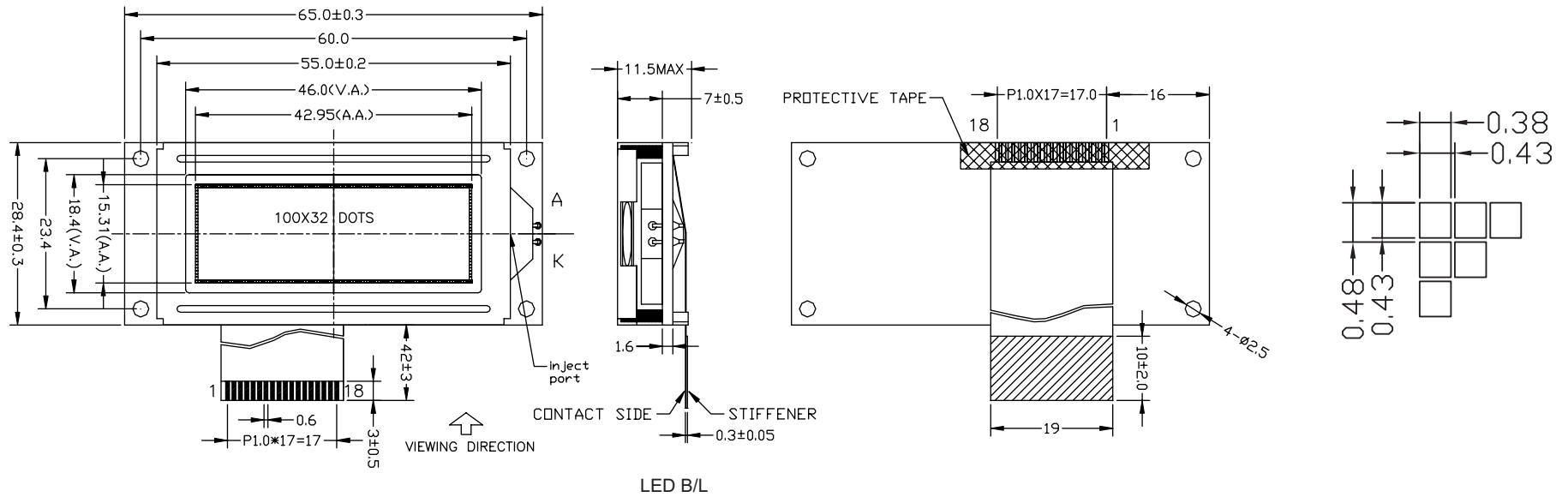




AMG10032A

Unmarked tolerance ±0.3



Pin No	Symbol	Pin No	Symbol
1	VSS	10	DB1
2	VDD	11	DB2
3	Vo	12	DB3
4	RS	13	DB4
5	R/W	14	DB5
6	E1	15	DB6
7	E2	16	DB7
8	NC	17	LEDA
9	DB0	18	LEDK