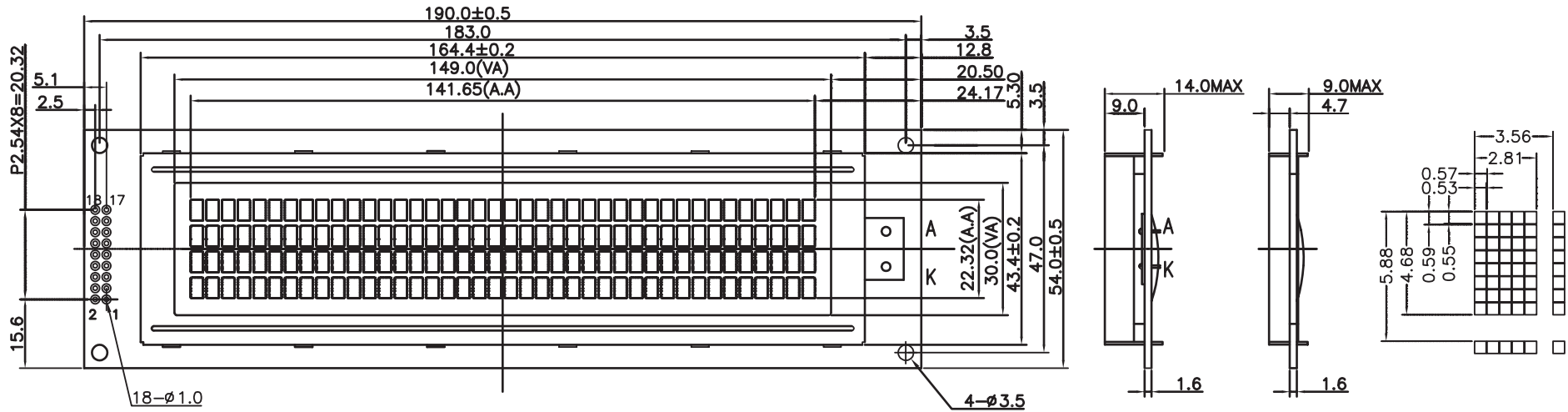




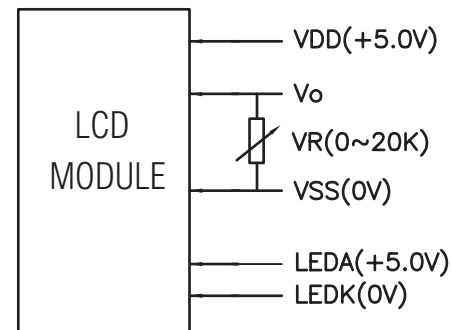
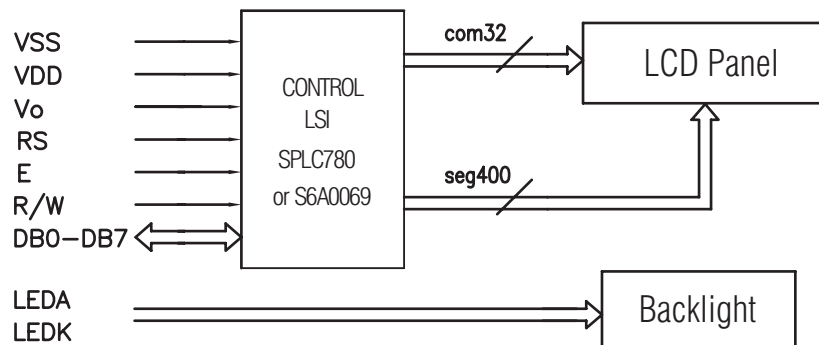
AMC4004E

Unmarked tolerance ± 0.3



WITH LED B/L

WITH EL B/L
OR WITHOUT
B/L



Pin No	Symbol	Pin No	Symbol
1	VSS	10	DB2
2	VDD	11	DB3
3	Vo	12	DB4
4	RS	13	DB5
5	R/W	14	DB6
6	E1	15	DB7
7	E2	16	NC
8	DB0	17	LEDA
9	DB1	18	LEDK