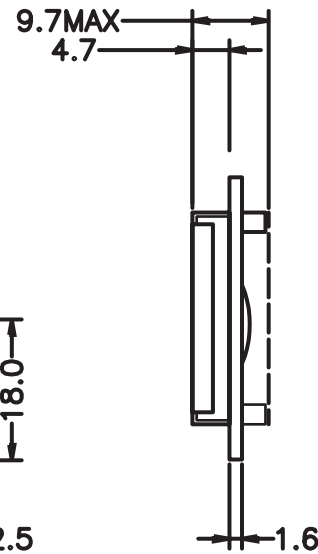
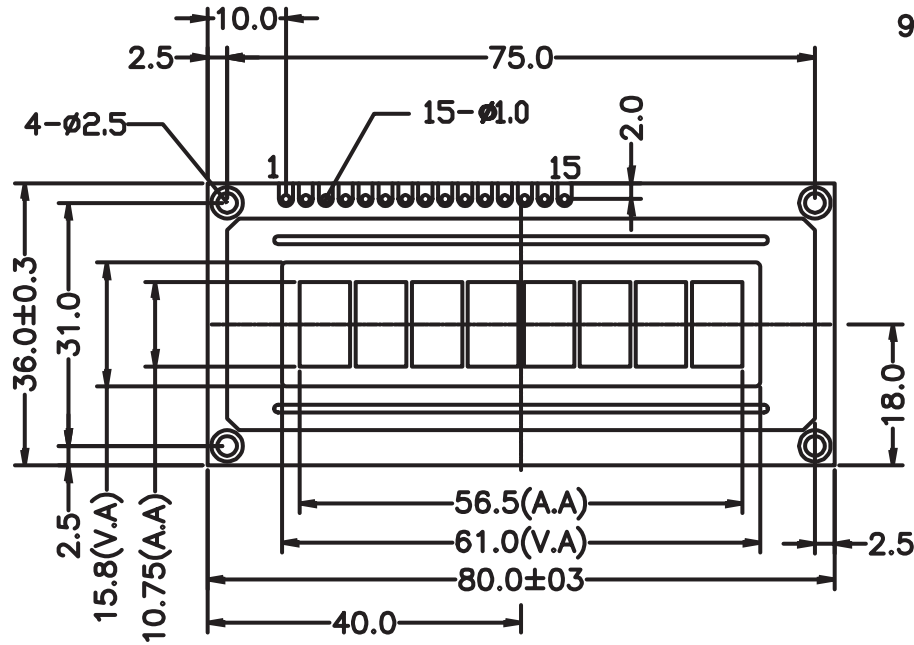


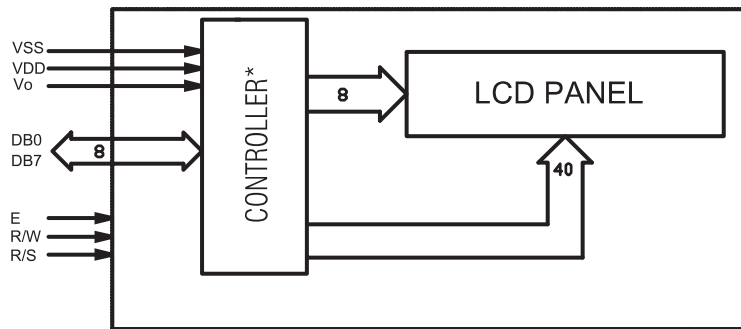
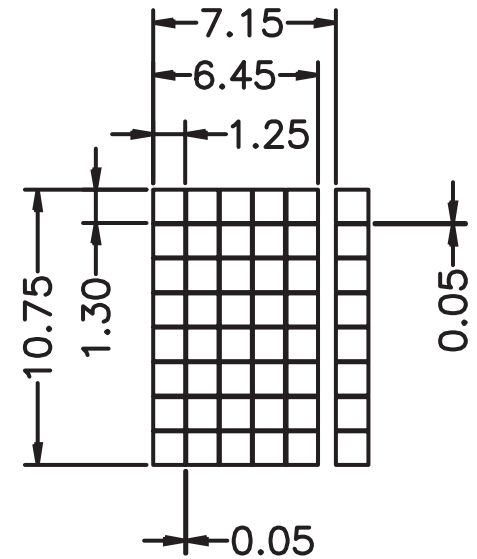


**AMC0801A-S1**

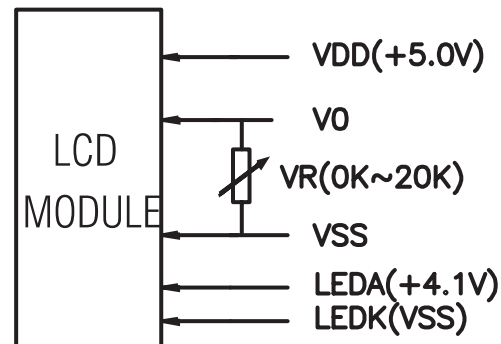
Unmarked tolerance ± 0.3



WITH EL B/L  
OR WITHOUT B/L



\* SPLC780 OR EQUIVALENT



| Pin No | Symbol | Pin No | Symbol |
|--------|--------|--------|--------|
| 1      | VSS    | 9      | DB2    |
| 2      | VDD    | 10     | DB3    |
| 3      | Vo     | 11     | DB4    |
| 4      | RS     | 12     | DB5    |
| 5      | R/W    | 13     | DB6    |
| 6      | E      | 14     | DB7    |
| 7      | DB0    | 15     | LEDA   |
| 8      | DB1    |        |        |